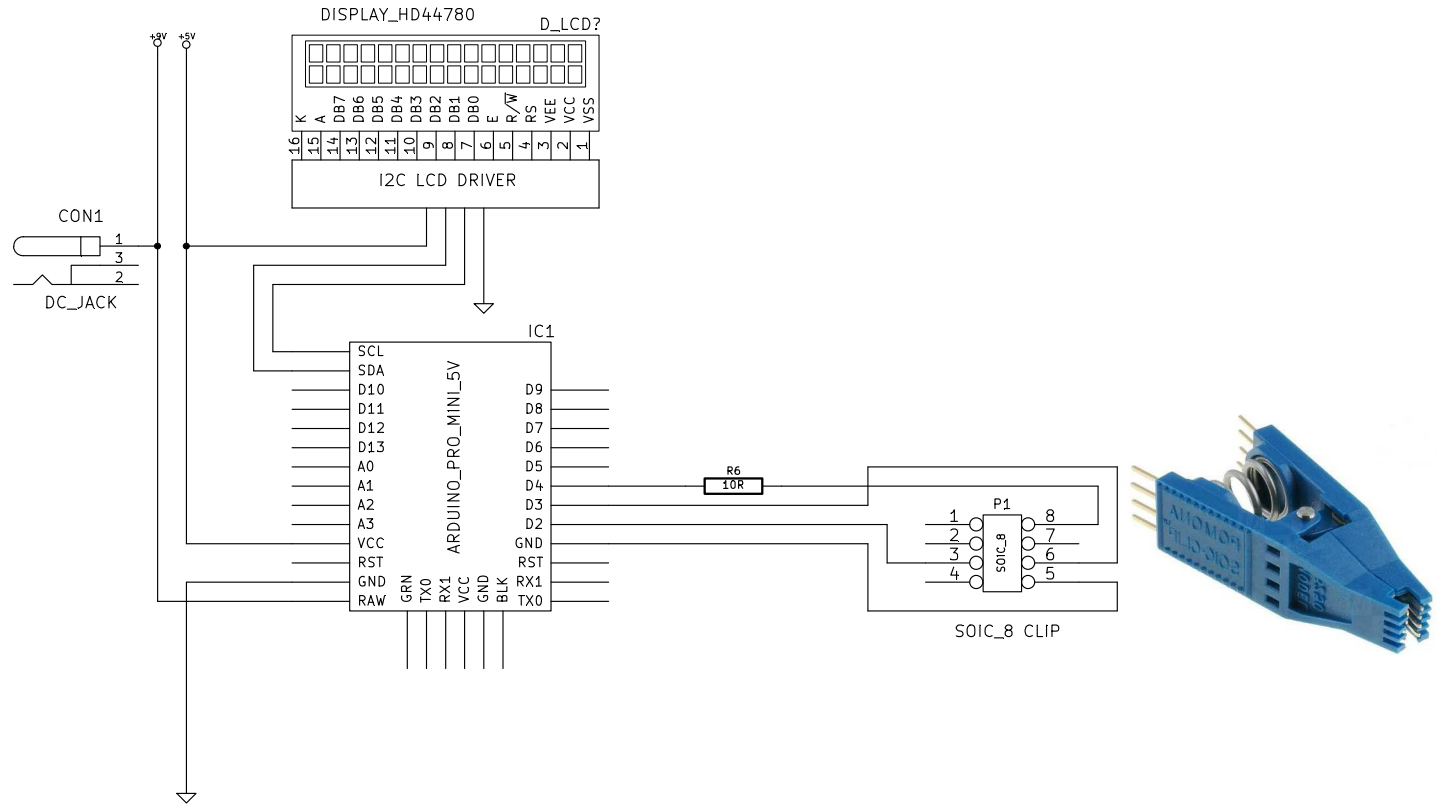
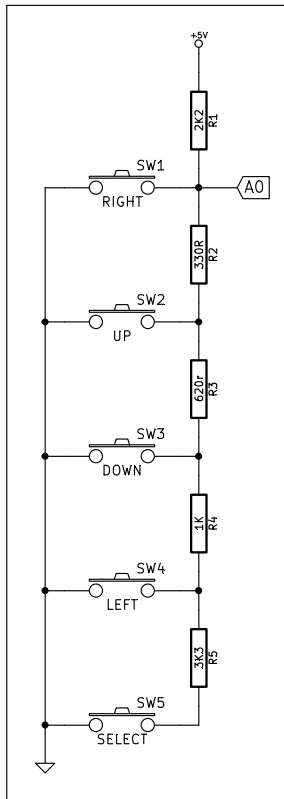


KEYPAD 5 BUTTONS



| | | |
|--|-------------------|----------|
| info@lmpautomation.com | | |
| LMPAutomation | | |
| File: HCS_Transmitter_Programming_Tool.sch | | |
| Sheet: / | | |
| Title: HCS301 Remotes Programmer | | |
| Size: A4 | Date: 17 jun 2014 | Rev: v01 |
| KiCad E.D.A. eeschema (2013-07-07 BZR 4022)-stable | | Id: 1/1 |